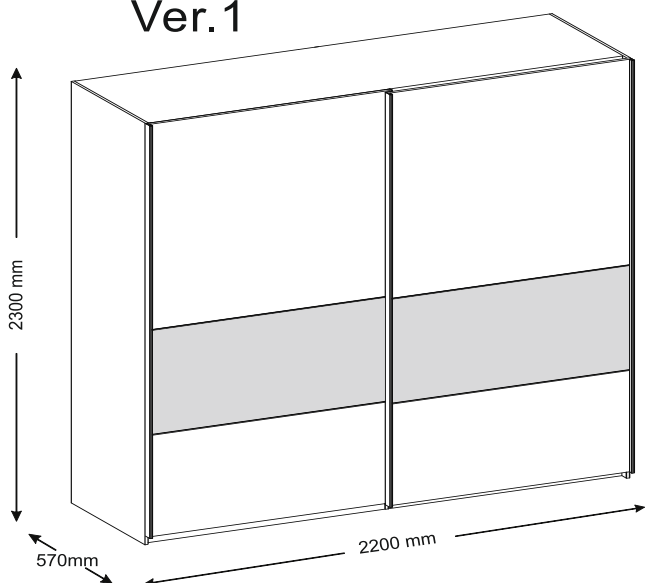
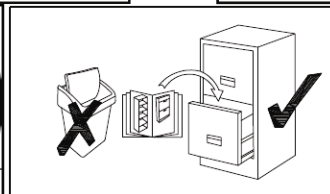
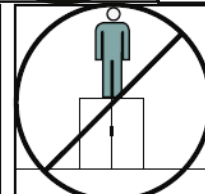
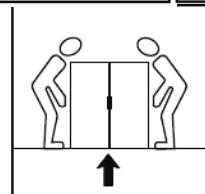
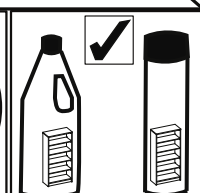
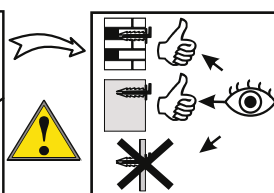
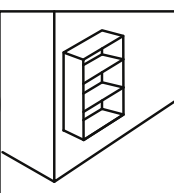
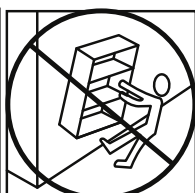
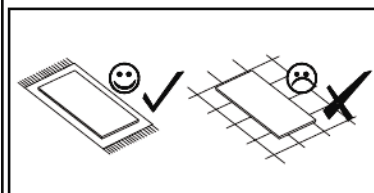
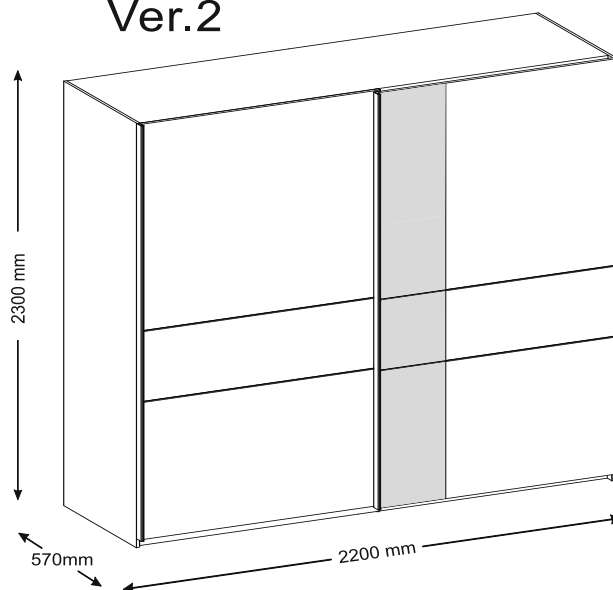
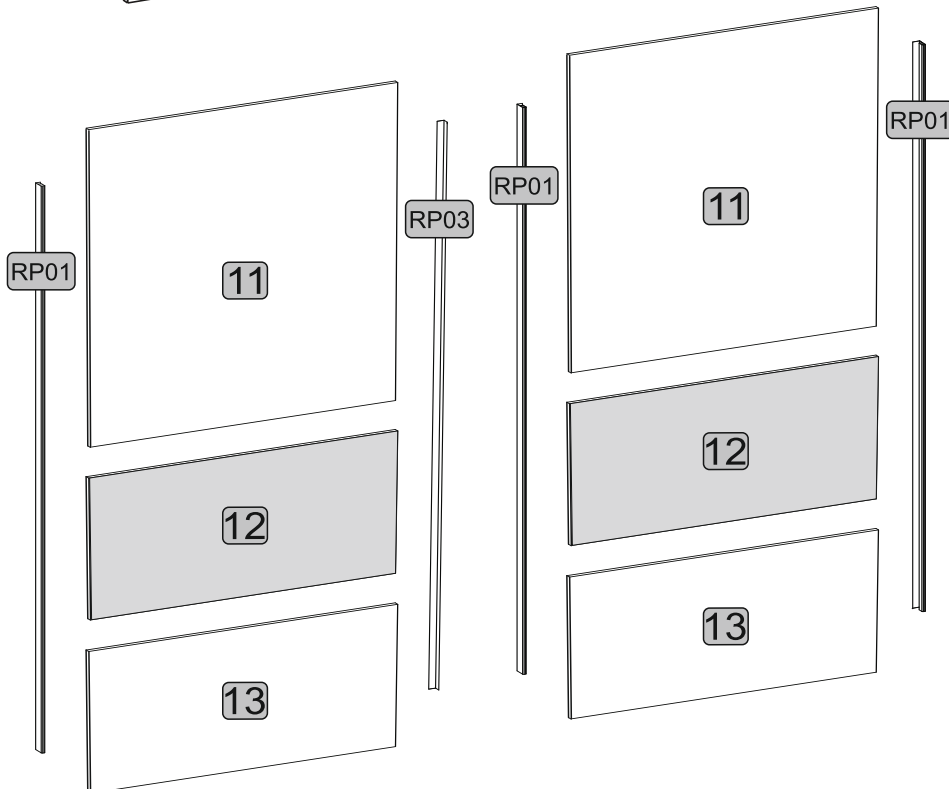
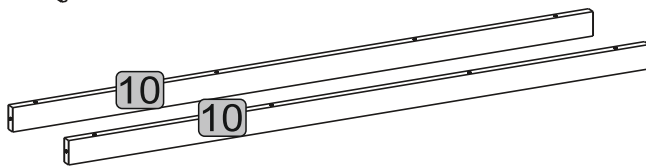
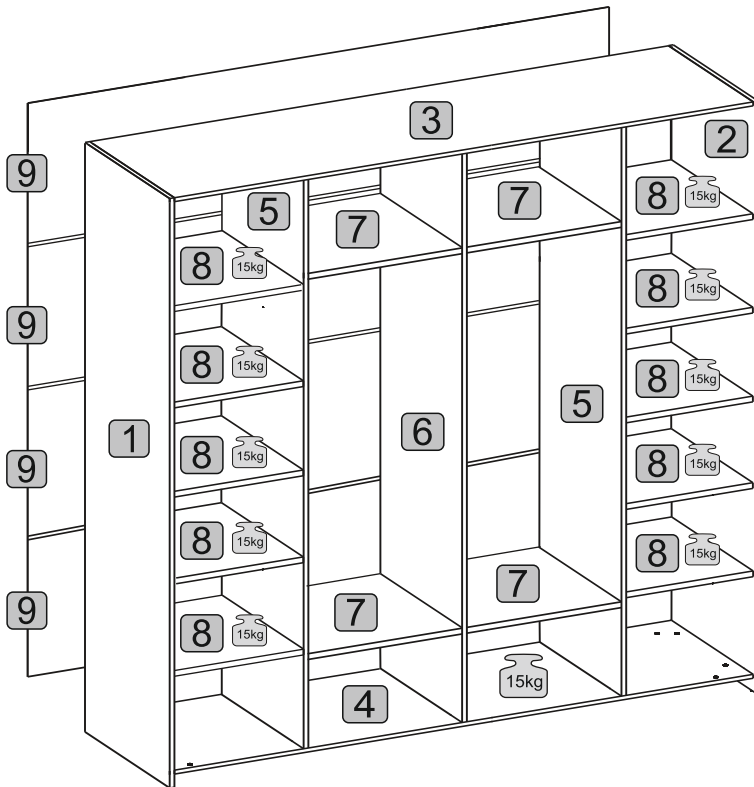


Ver.1

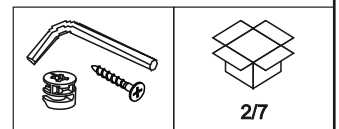


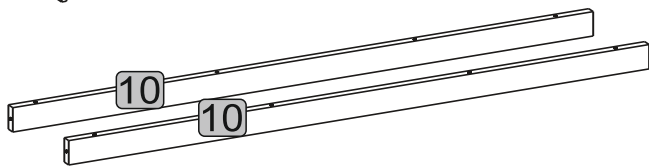
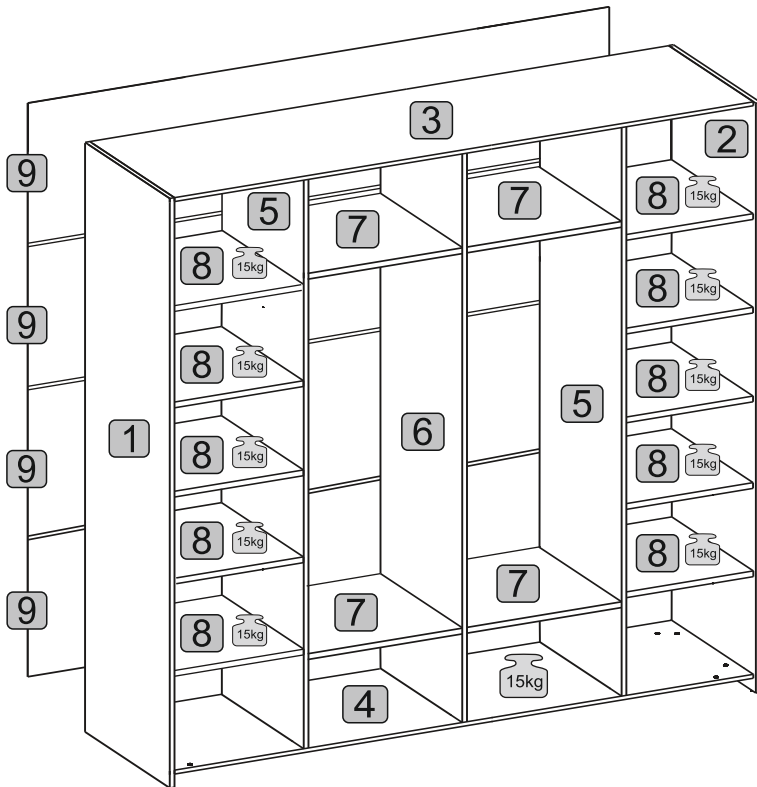
Ver.2



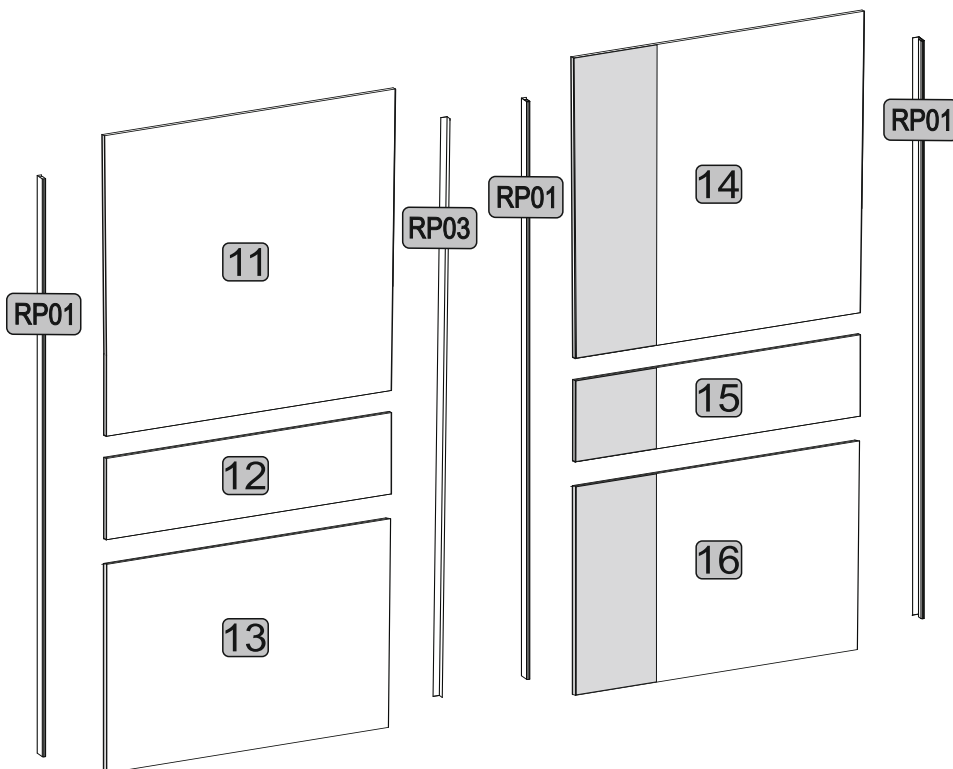
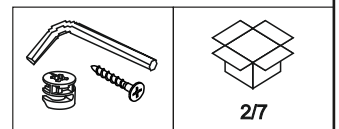


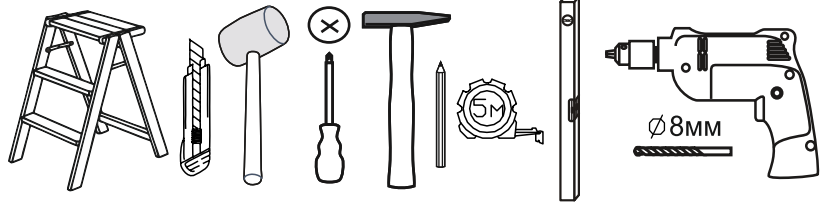
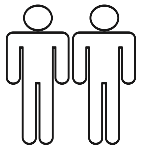
No				PCS	
1	2288	504	16	1	4/7
2	2288	532	16	1	4/7
3	2168	488	16	1	1/7
4	2168	488	16	1	1/7
5	2193	485	16	2	3/7
6	2193	485	16	1	4/7
7	584	476	16	4	3/7
8	476	476	16	6	1/7
8	476	476	16	4	3/7
9	2196	555	3	4	1/7
10	2167	60	16	2	2/7
11	1104	1116	16	1	6/7
11	1104	1116	16	1	7/7
12	1104	558	16	1	6/7
12	1104	558	16	1	7/7
13	1104	558	16	1	6/7
13	1104	558	16	1	7/7
NV01	2166			1	2/7
NN01	2162			1	2/7
SH01	578			2	2/7
RP03	2232			1	5/7
RP01	2232			3	5/7
CH01	2500		12	1	2/7
CH01	2500		6	2	2/7
PS01	574			6	2/7
PS01	474			4	2/7





No				PCS	
1	2288	504	16	1	4/7
2	2288	532	16	1	4/7
3	2168	488	16	1	1/7
4	2168	488	16	1	1/7
5	2193	485	16	2	3/7
6	2193	485	16	1	4/7
7	584	476	16	4	3/7
8	476	476	16	6	1/7
8	476	476	16	4	3/7
9	2196	555	3	4	1/7
10	2167	60	16	2	2/7
11	1104	1116	16	1	6/7
12	1104	1116	16	1	6/7
13	1104	774	16	1	6/7
14	1104	774	16	1	7/7
15	1104	372	16	1	7/7
16	1104	372	16	1	7/7
NV01	2166			1	2/7
NN01	2162			1	2/7
SH01	578			2	2/7
RP03	2232			1	5/7
RP01	2232			3	5/7
CH01	2500		12	1	2/7
CH01	2500		6	2	2/7
PS01	574			6	2/7
PS01	474			4	2/7





 20x T01	 40x T02	 4x T04	 8x T06	 36x D15	 32x S01	 80x S02
 10x E01	 40x F15	 2x O01	 4x B01	 130x N01	 10x P05	 28x W-30
 48x M02	 8x C01	 4x Z01	 10x Z04	 36x Z02	 10x N02	 10x N03
						 1x K4 1x K6
						 10x S06

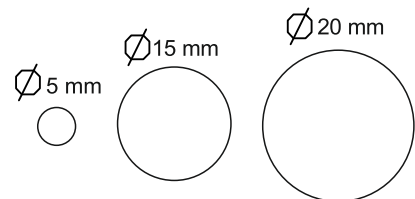
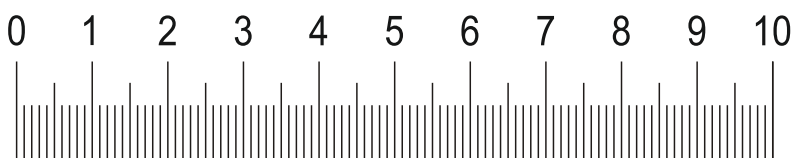
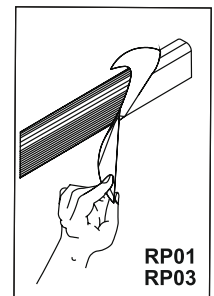
Hettich

 1x TL01	 1x TL02	 1x TL03	 1x TL04	 2x TL05	 x2 TL06	 4x TL07
 2x TL08	 2x TL09	 2x TL10	 4x TL13	 24x TL14	 36x TL15	

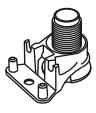
Hettich

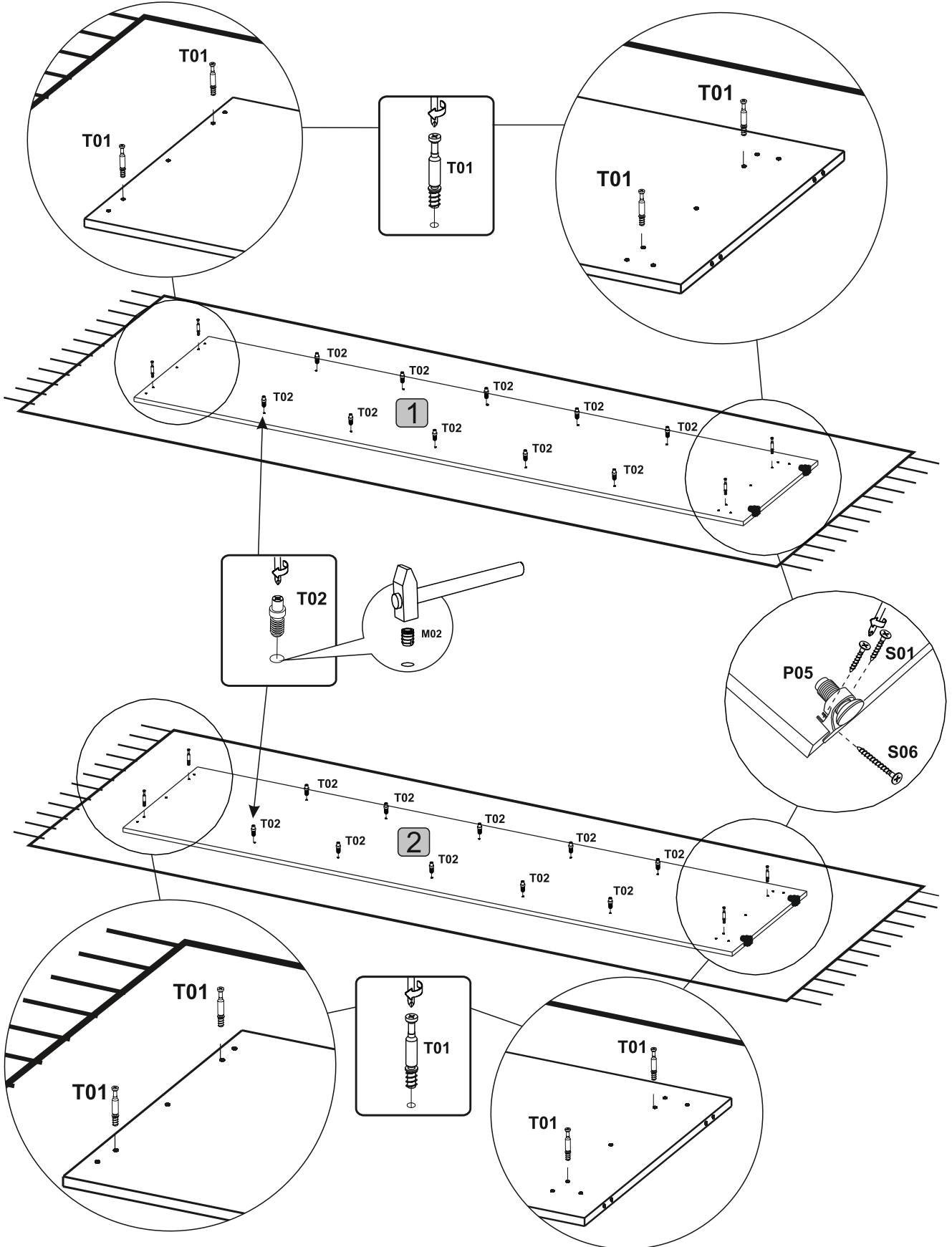
 2x TD01	 2x TD02	 2x TD02
--------------------	--------------------	--------------------

 1x NV01	 1x NN01	 2x SH01	 1x RP03	 3x RP01	 2x CH01 1x CH01	 4x PS01	 6x PS01
--------------------	--------------------	--------------------	--------------------	--------------------	-----------------------------------	--------------------	--------------------




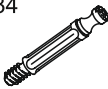


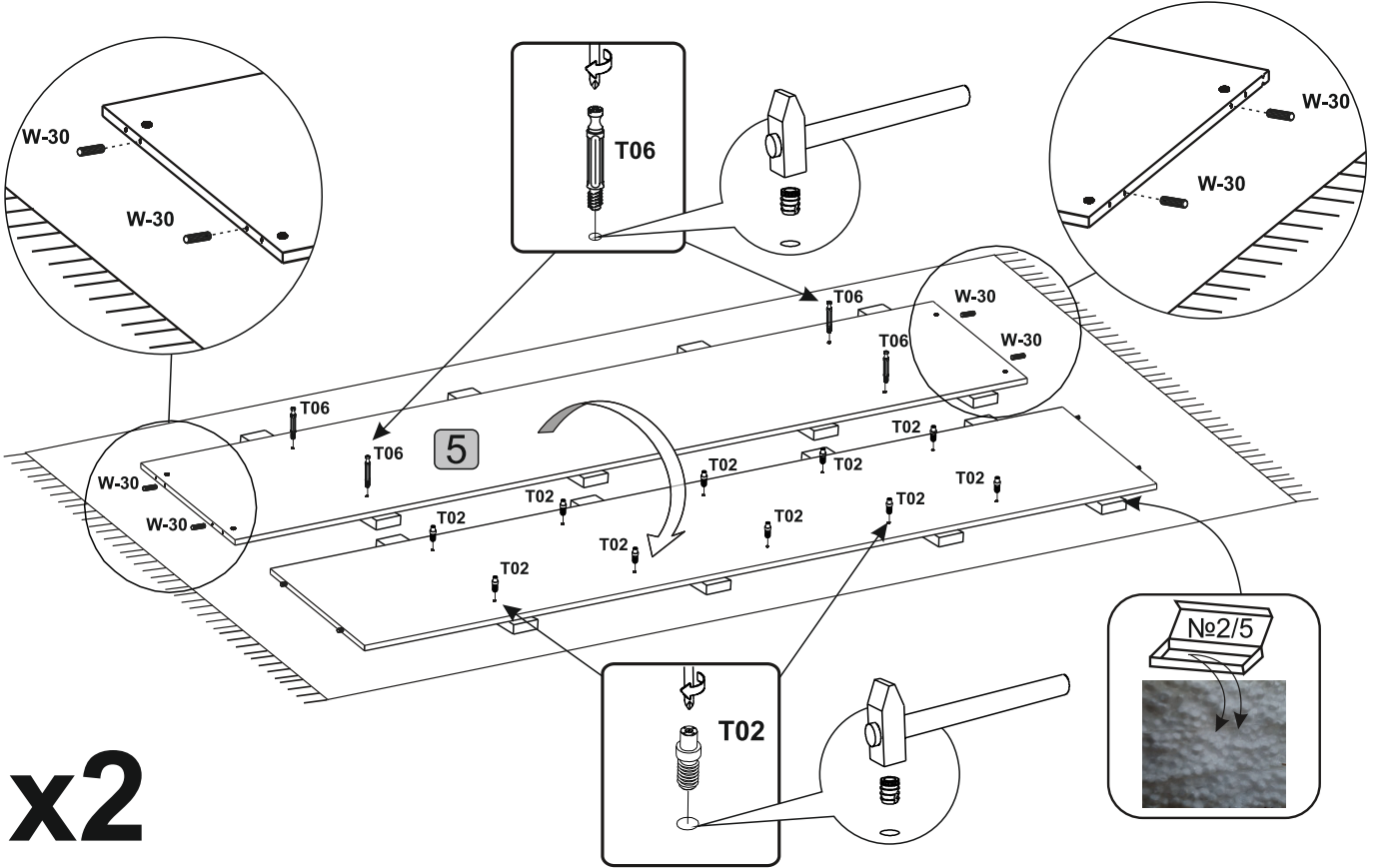
1

6x34 8x T01	6x12 20x T02	8x12 20x M02	3,5x30 4x S06	3,5x16 8x S01	 4x P05
-------------------	--------------------	--------------------	---------------------	---------------------	--

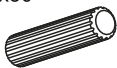


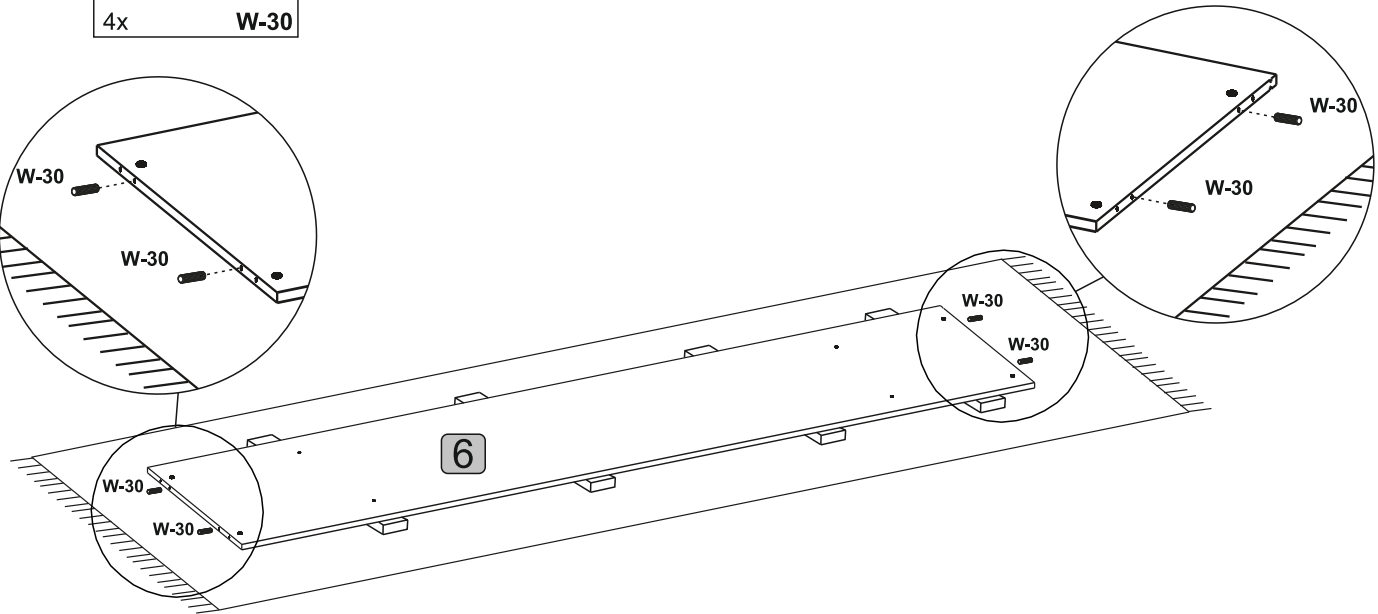
2

6x12  10x	T02	4x	8x30  W-30	14x	8x12  M02	4x	6x34  T06
--	-----	----	---	-----	--	----	--



3

8x30  4x	W-30
---	------



4

3,5x30



6x

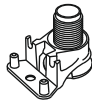
S06

3,5x16



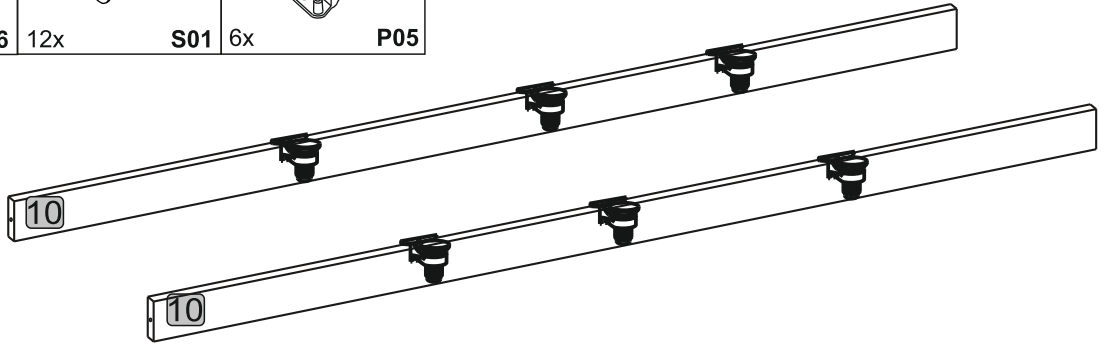
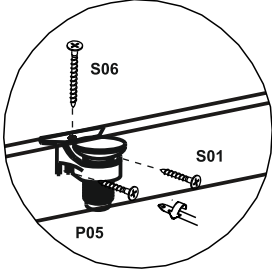
12x

S01



6x

P05



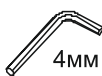
5

7x50



10x

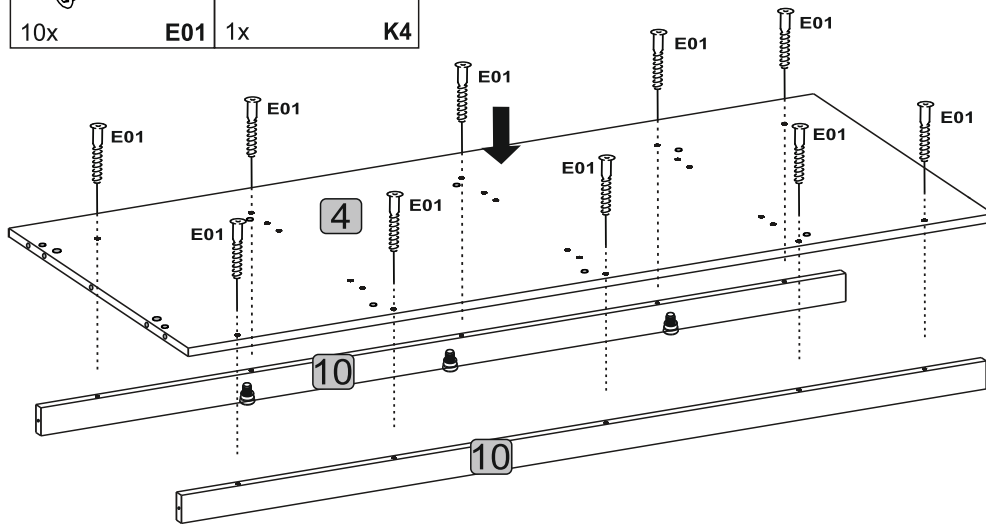
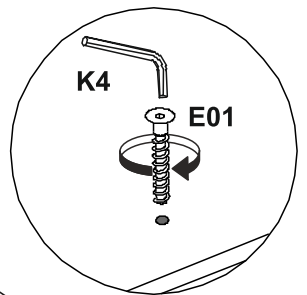
E01



4MM

1x

K4



6

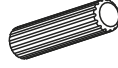
6x34



12x

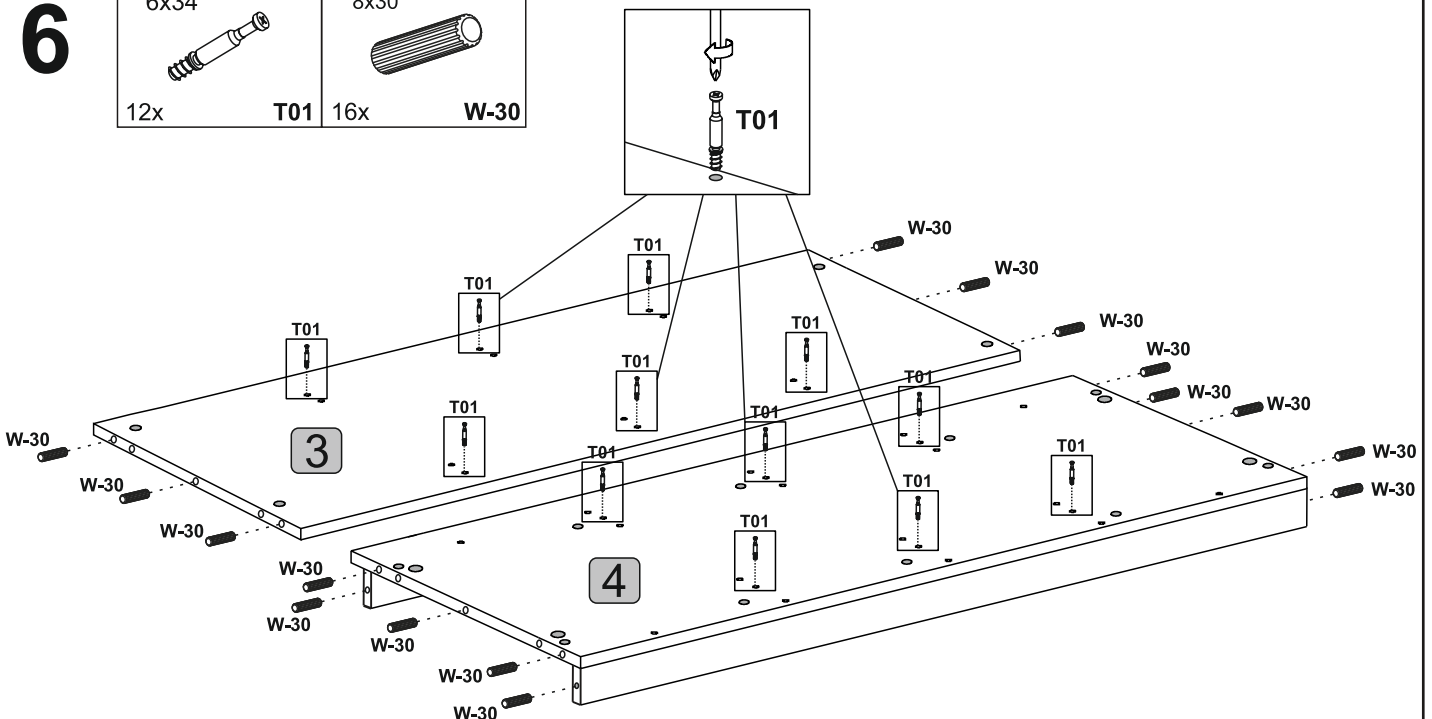
T01

8x30

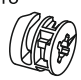

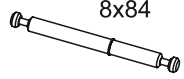


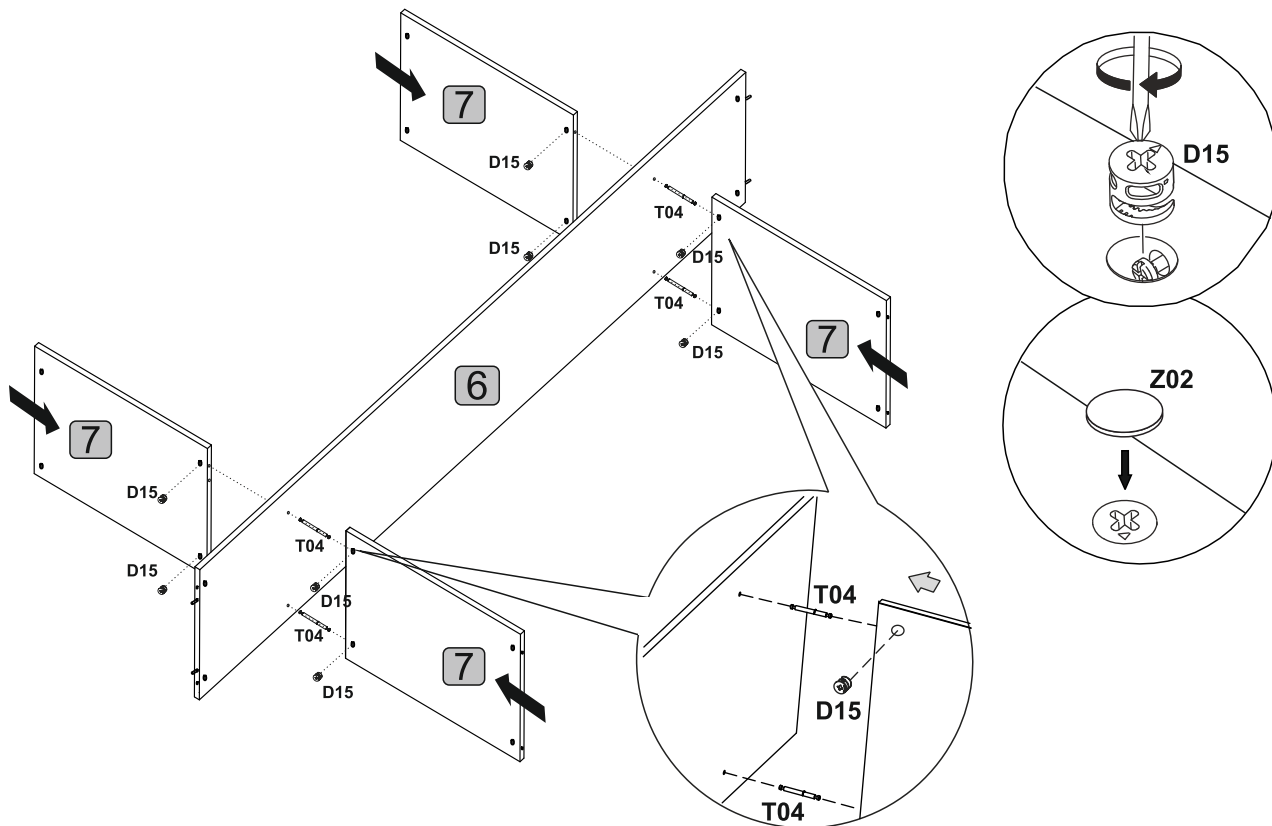
16x

W-30

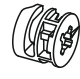



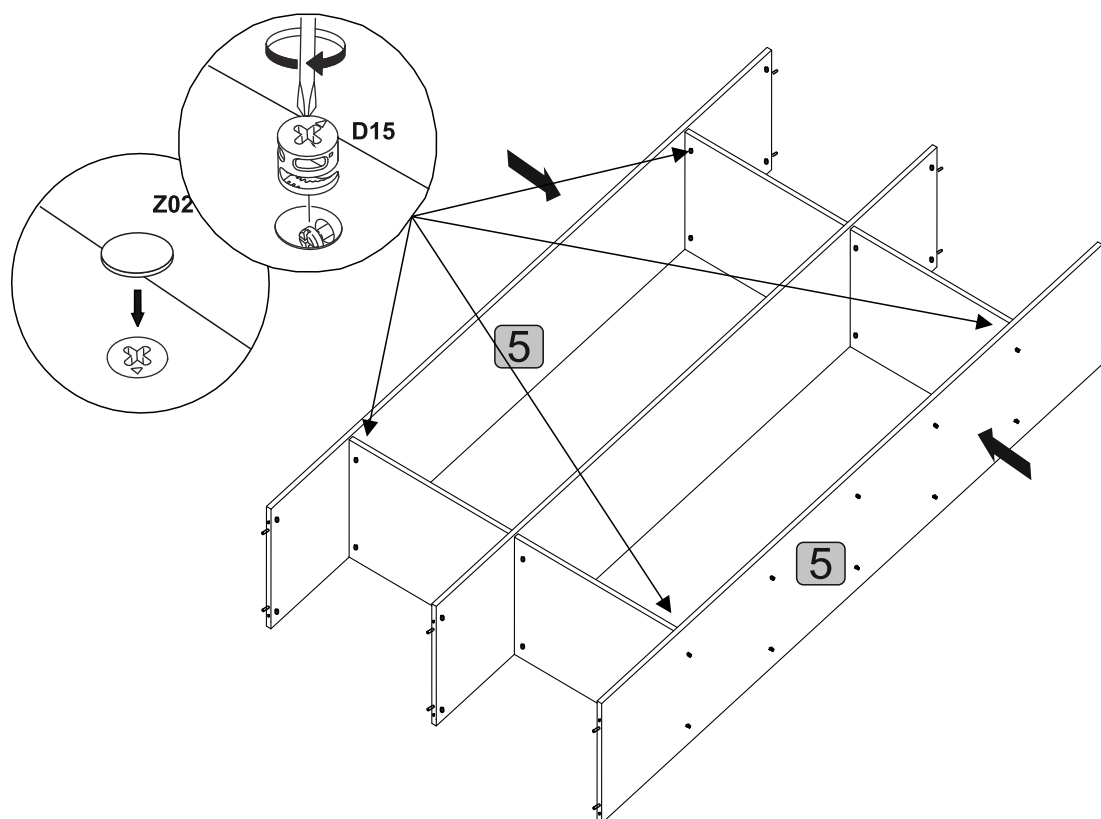
7

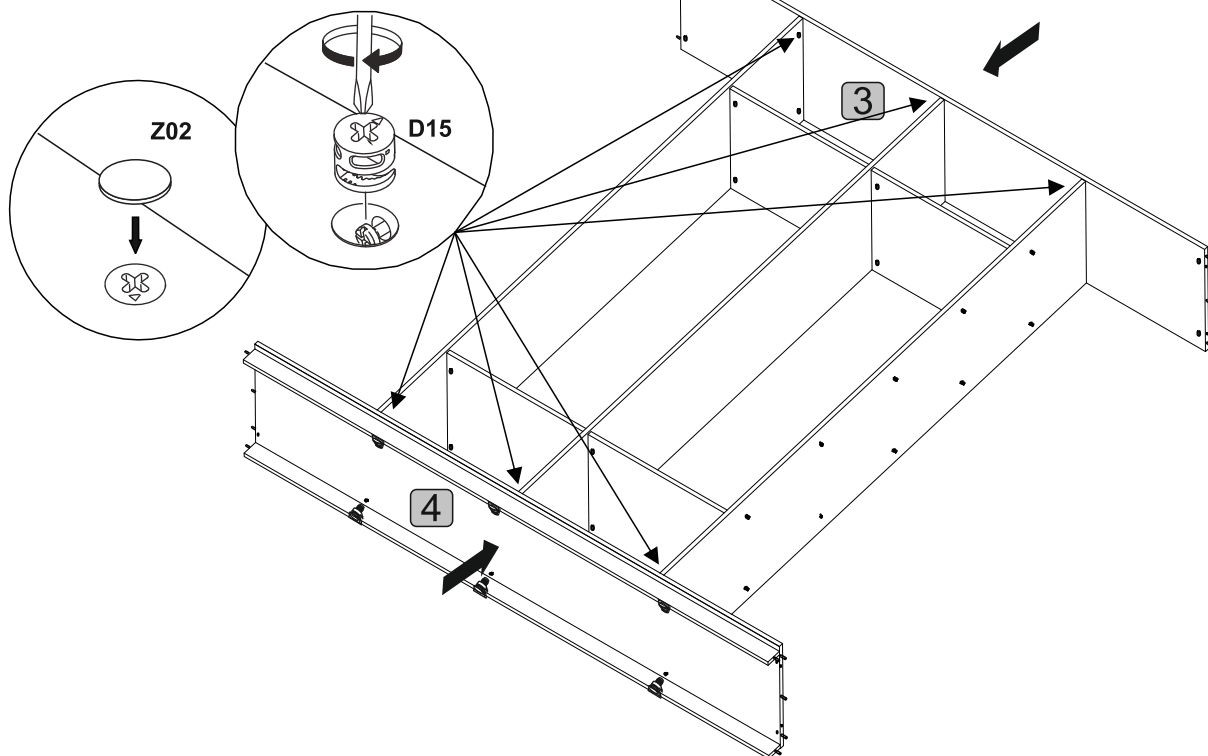
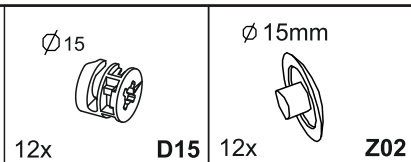
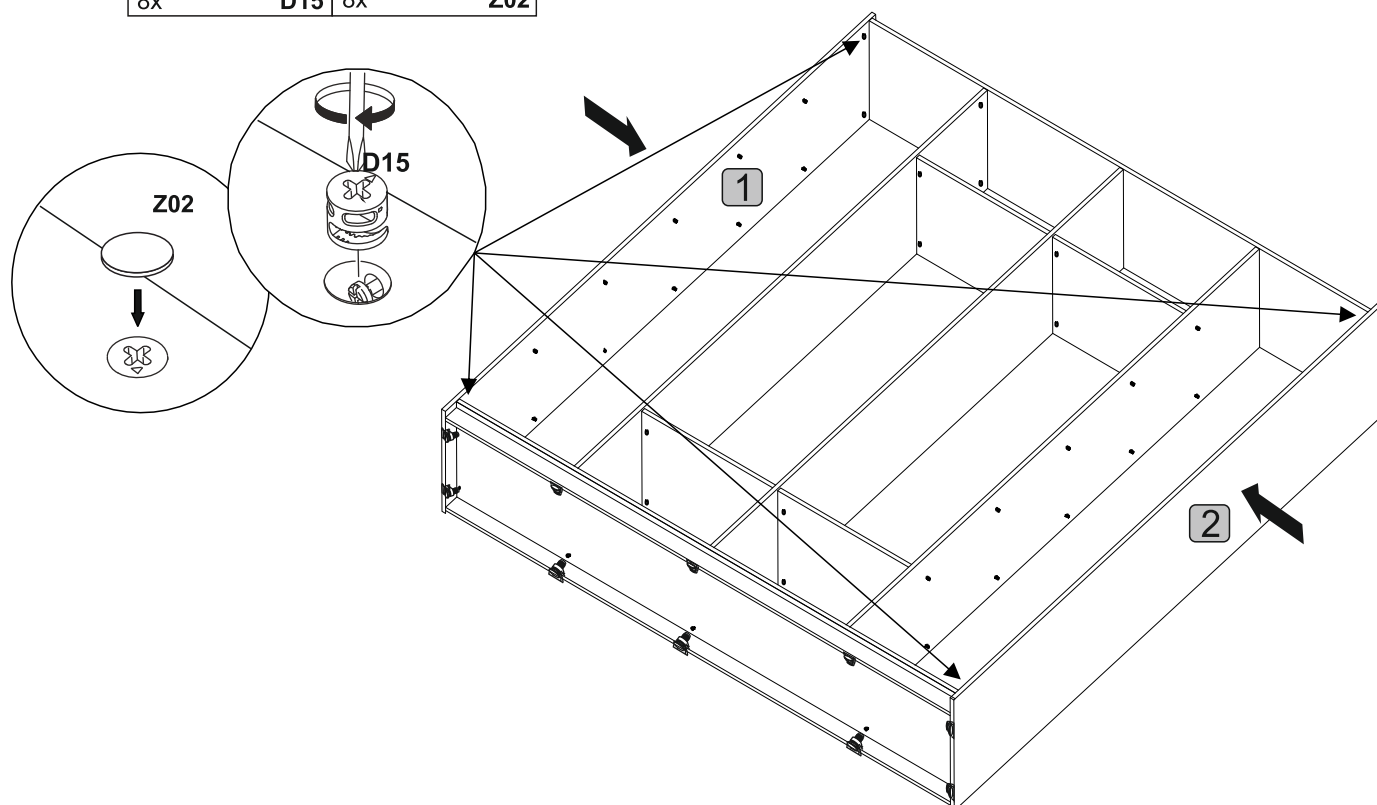
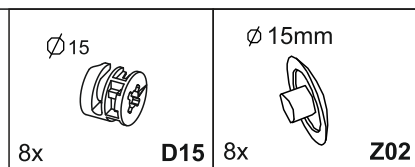
$\varnothing 15$ 	$\varnothing 15\text{mm}$ 	8x84 
8x D15	8x Z02	4x T04



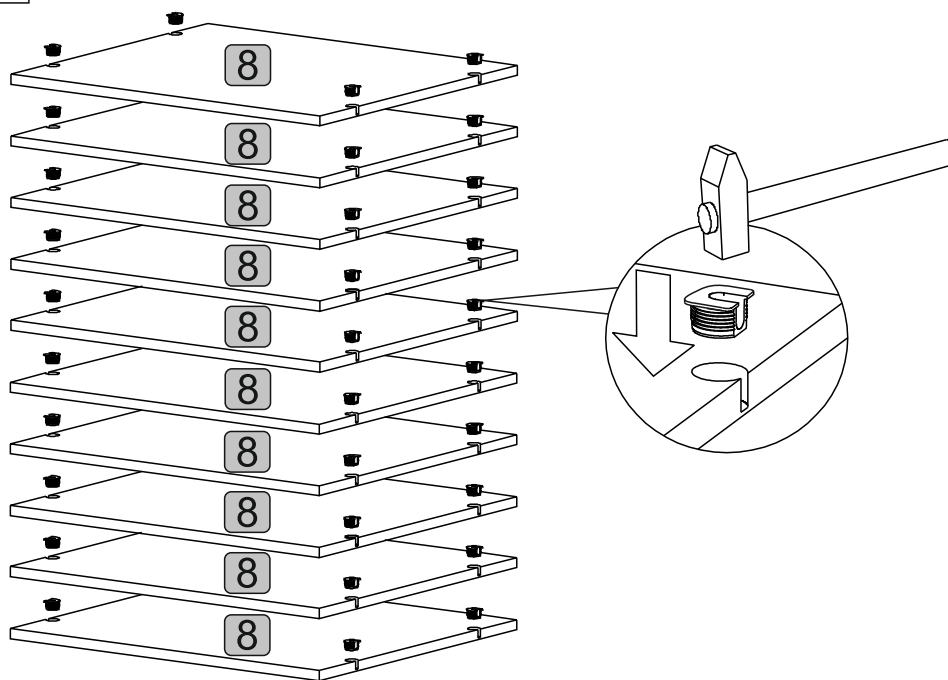
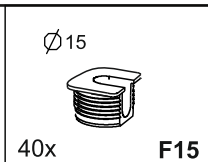
8

$\varnothing 15$ 	8x D15
$\varnothing 15\text{mm}$ 	8x Z02

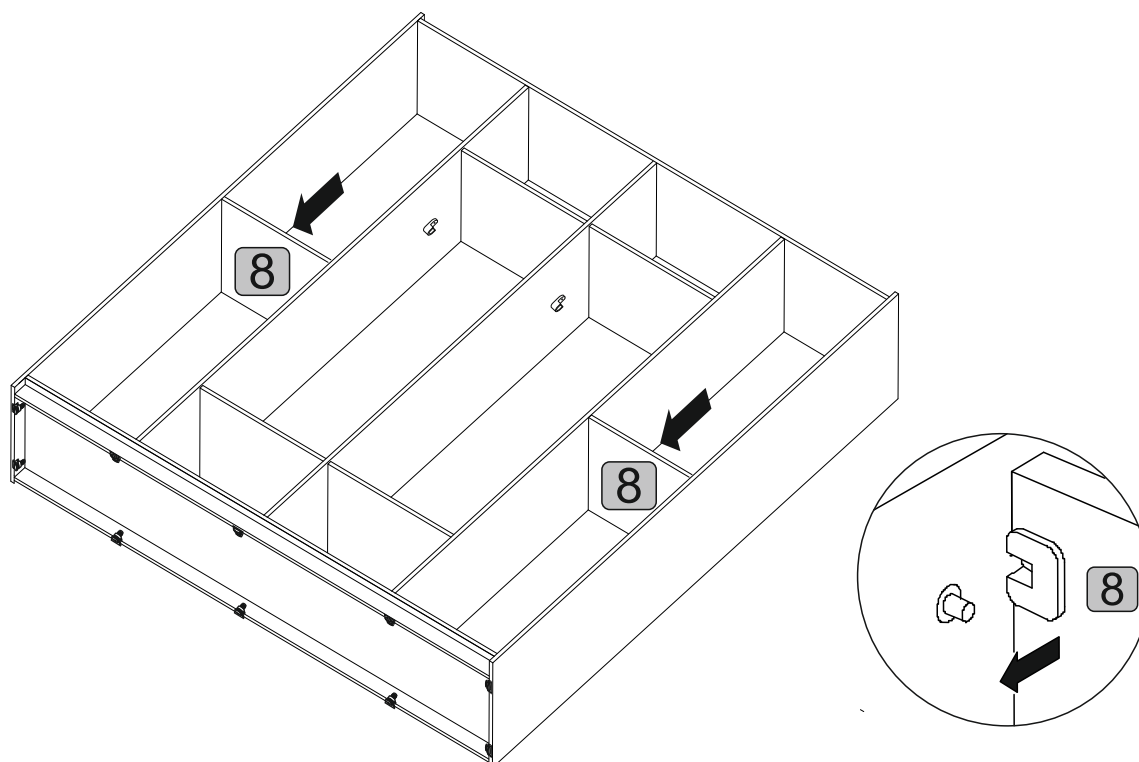


9**10**

11



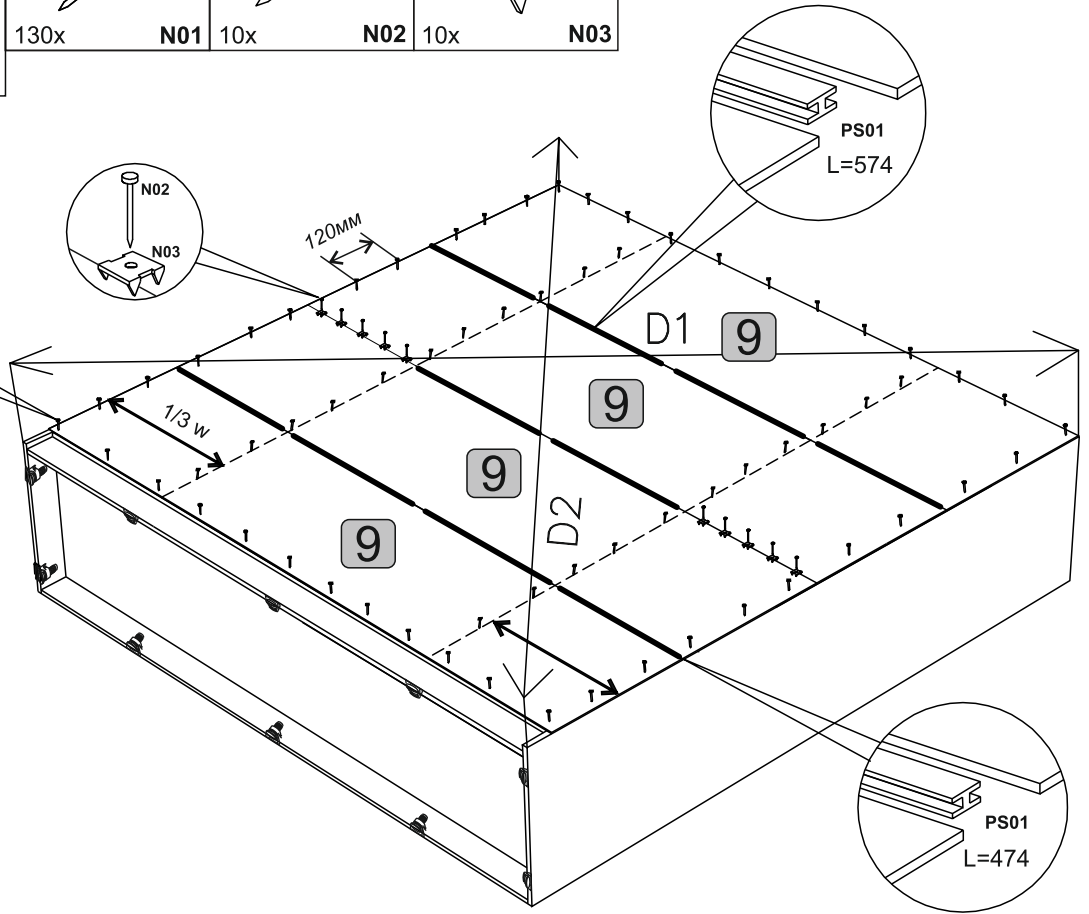
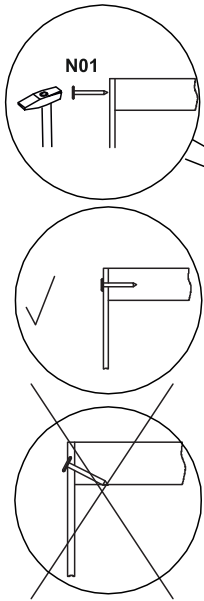
12



13

L=474 4x 	1,6x25 	2x25 	
L=574 6x 	130x N01	10x N02	10x N03
PS01			

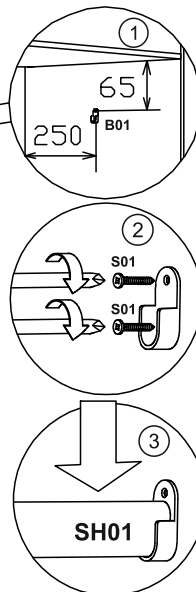
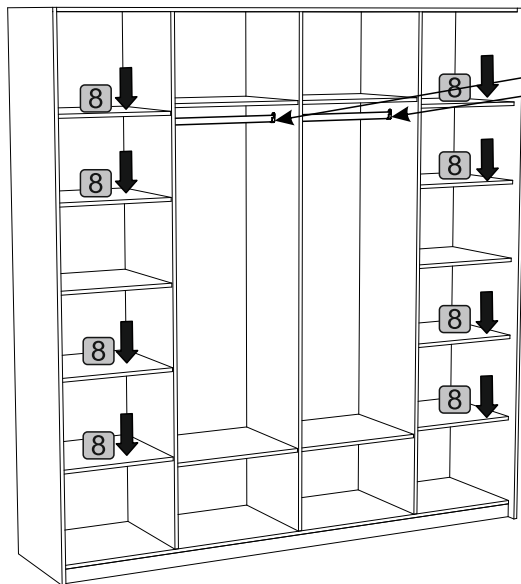
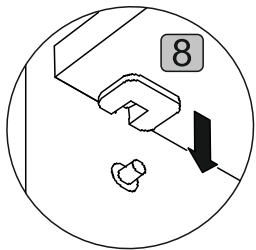
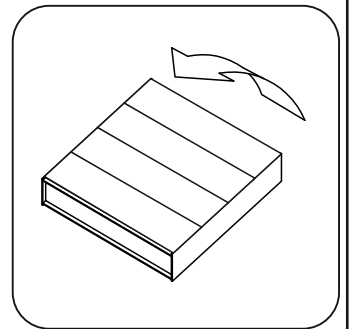
D1=D2



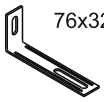


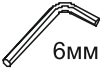

14

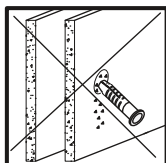
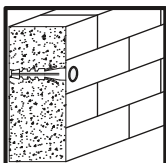
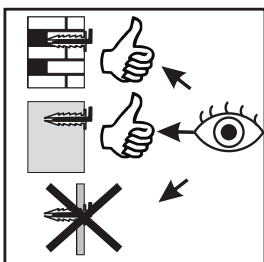
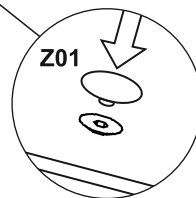
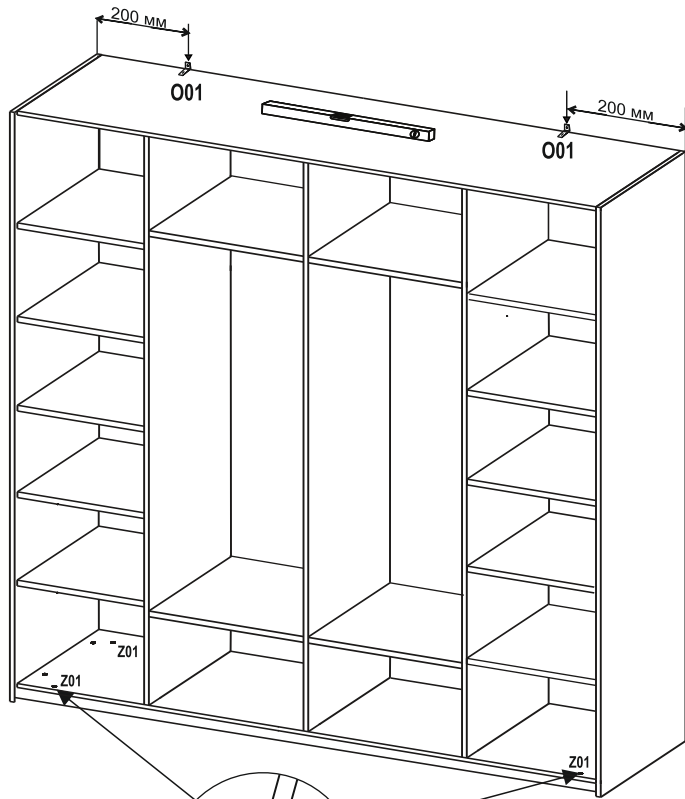
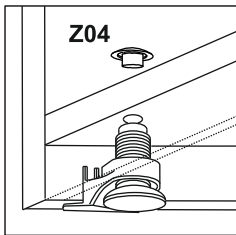
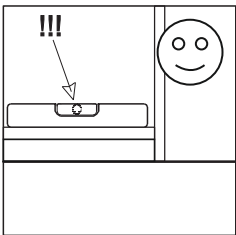
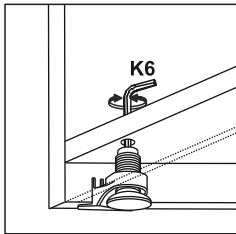
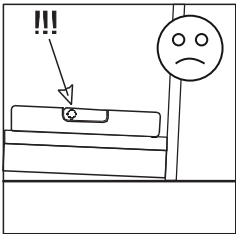
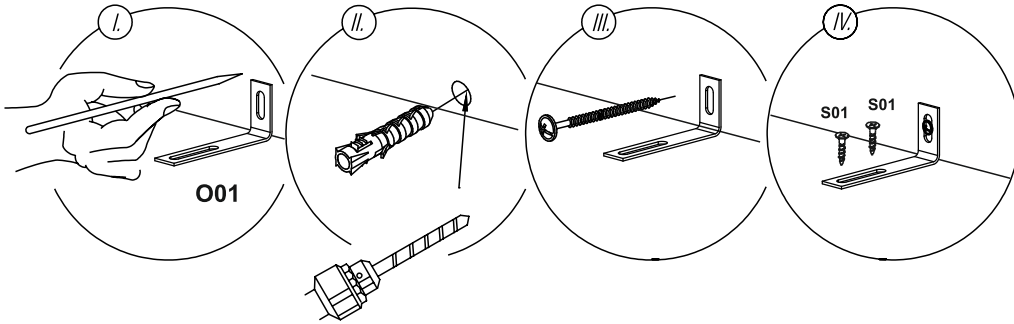
	3,5x16
4x B01	8x S01

L=578
2x SH01



15

 76x32 2x O01	 3,5x16 4x S01	 ø4mm 4x Z01	 6mm 1x K6	 ø 8mm 10x Z04
--	---	---	--	---



16

Hettich

3,5x25



14x

FR32

3,5x16



22x

FR33

2x

FR28



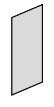
2x

FR29

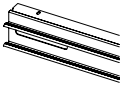


2x

FR27



L=2166



1x

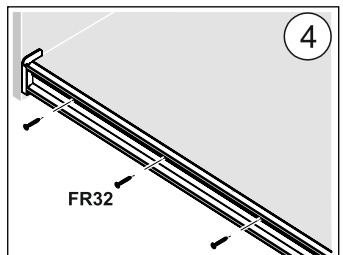
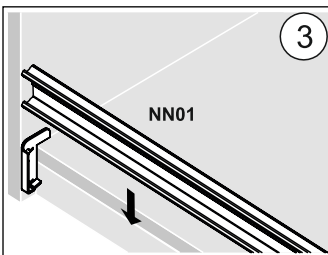
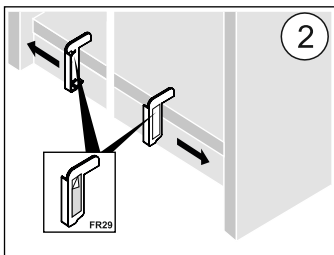
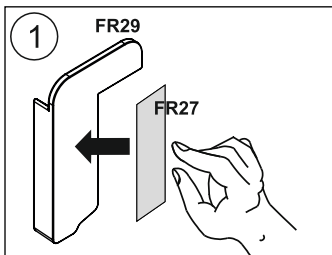
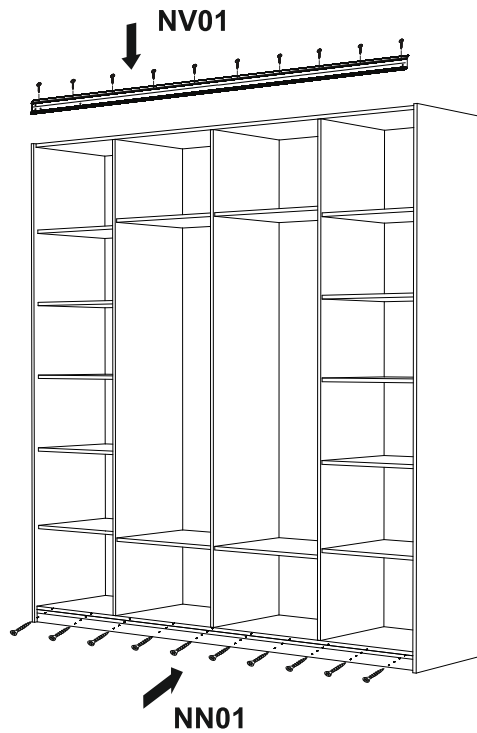
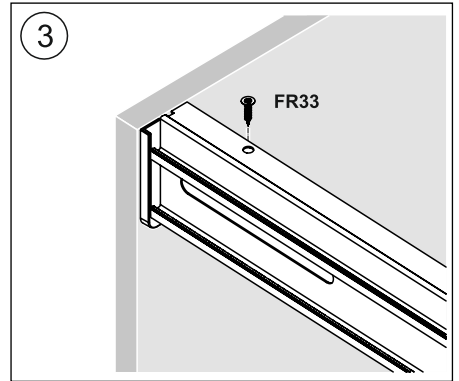
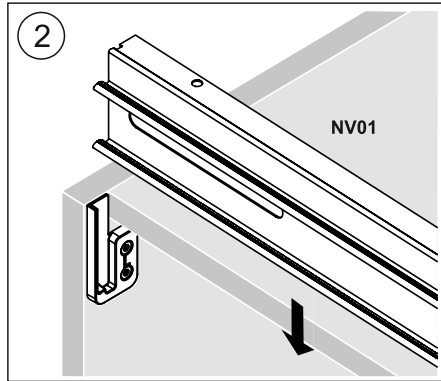
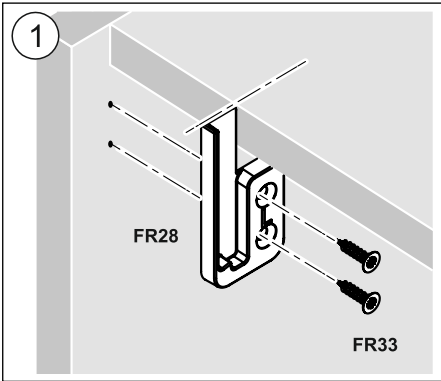
NV01

L=2162



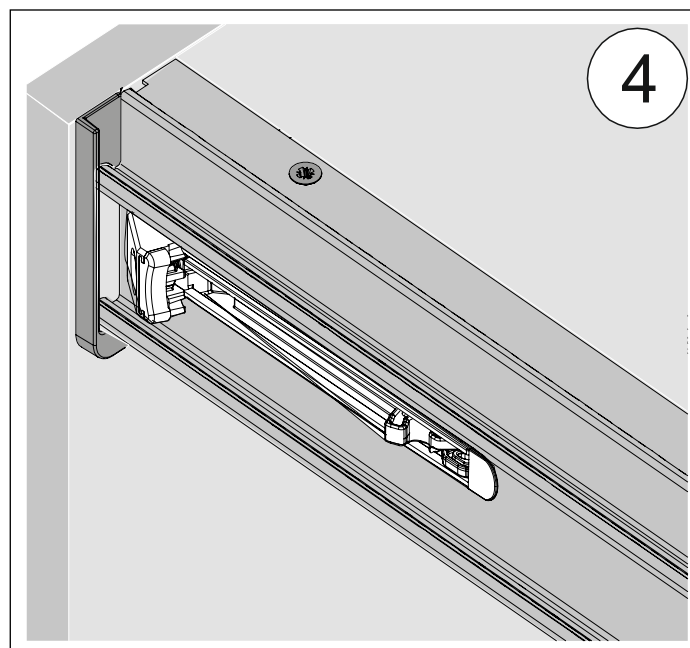
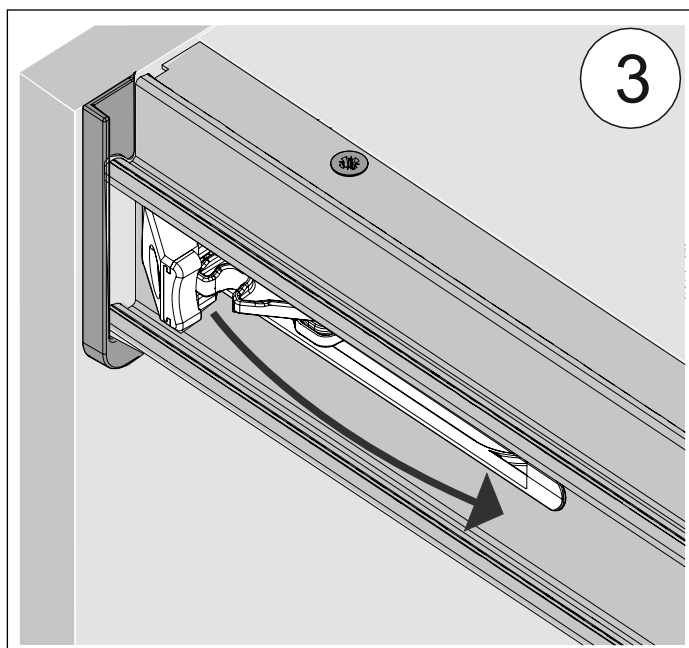
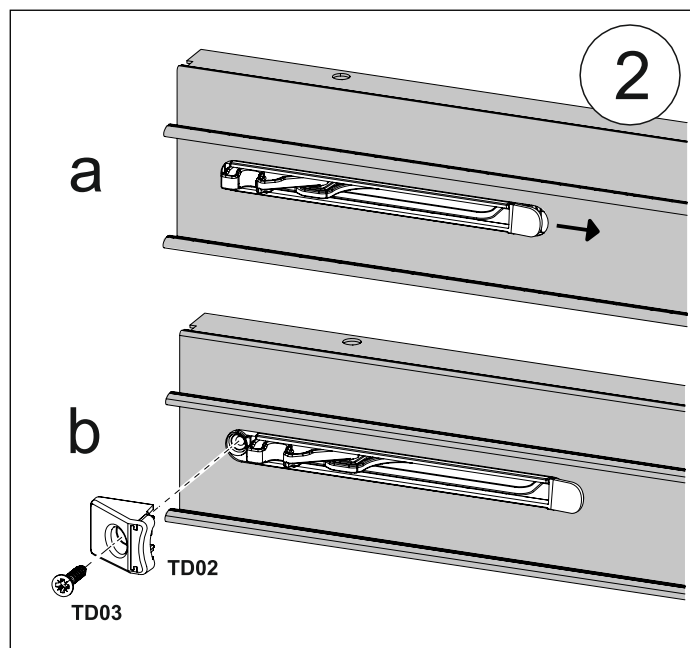
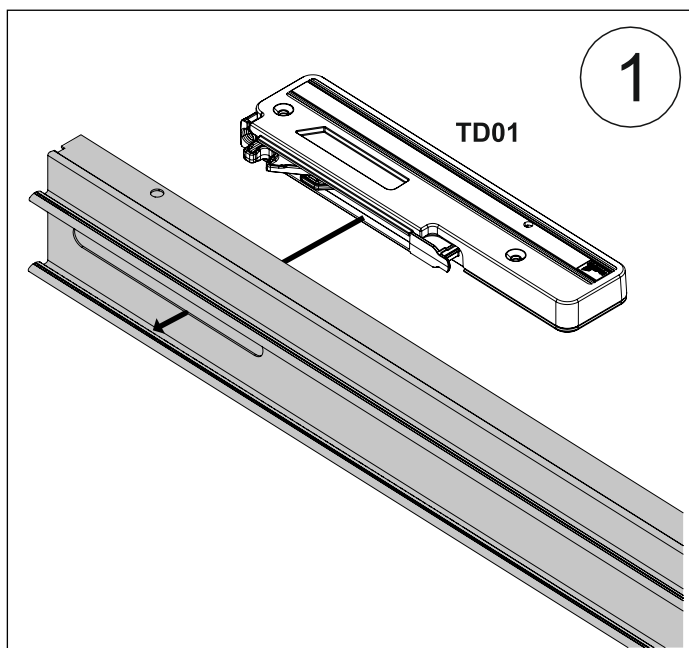
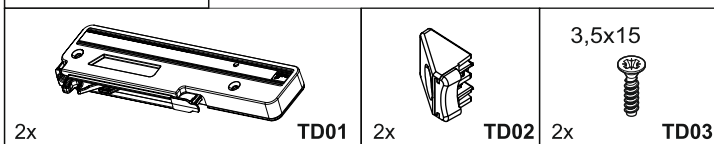
1x

NN01



17

Hettich



18

3,5x12

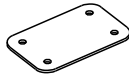


40x

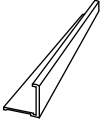
S02

4x

SP01



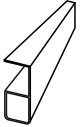
L=2232



1x

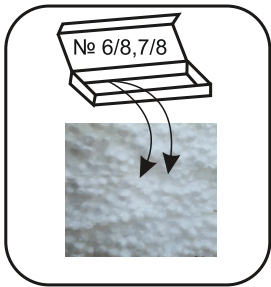
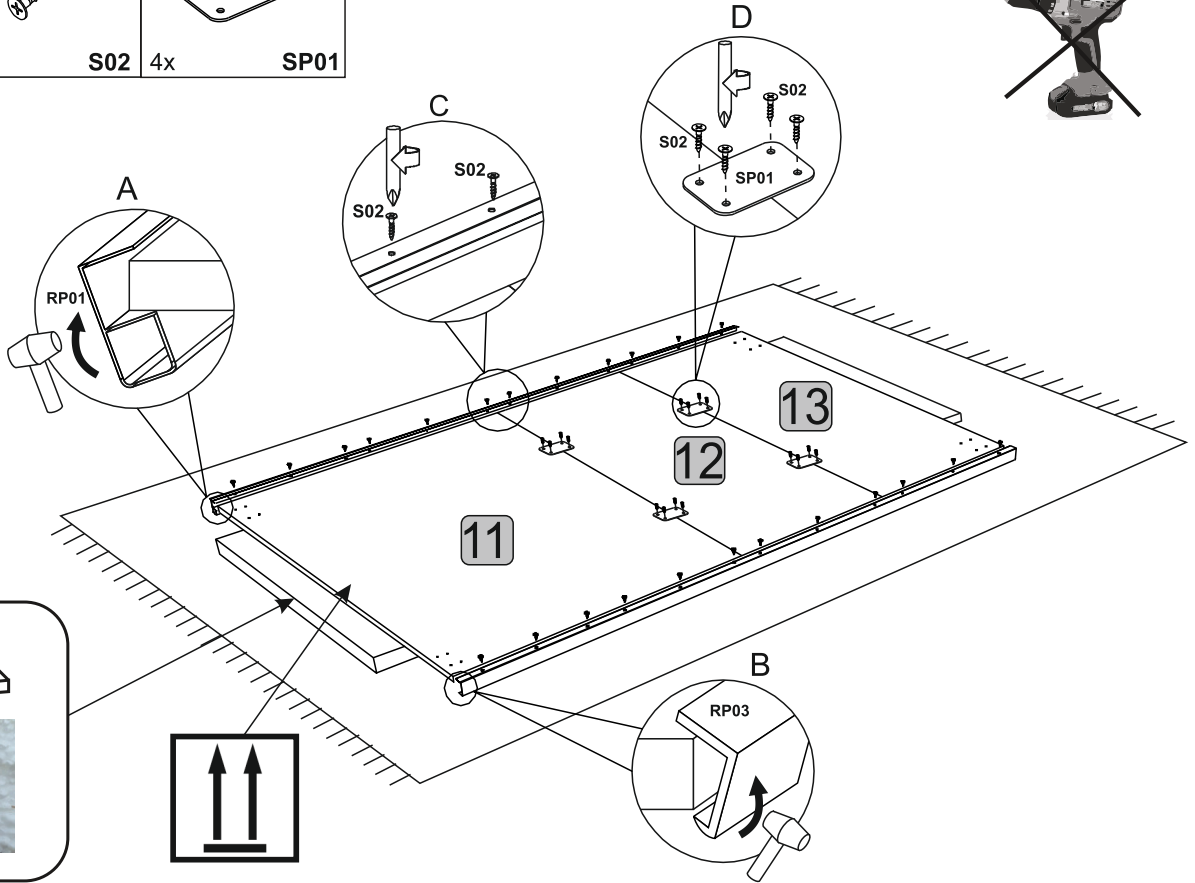
RP03

L=2232



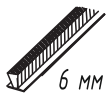
1x

RP01



19

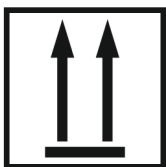
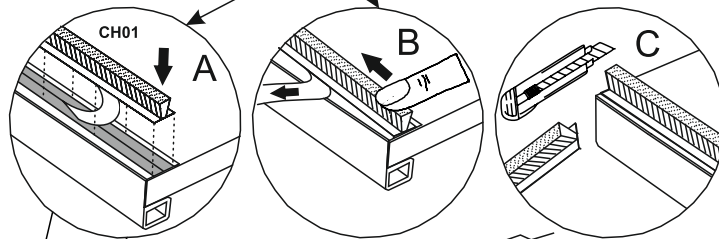
L=2500



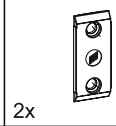
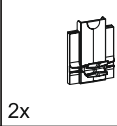
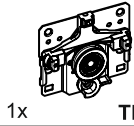
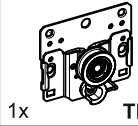
6 MM

1x

CH01



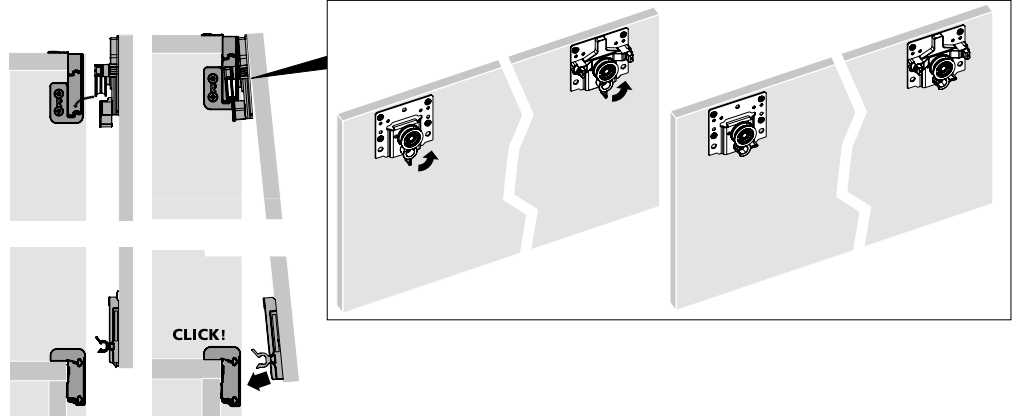
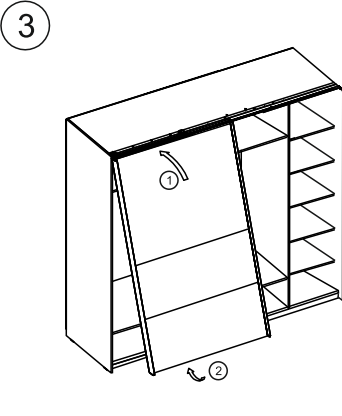
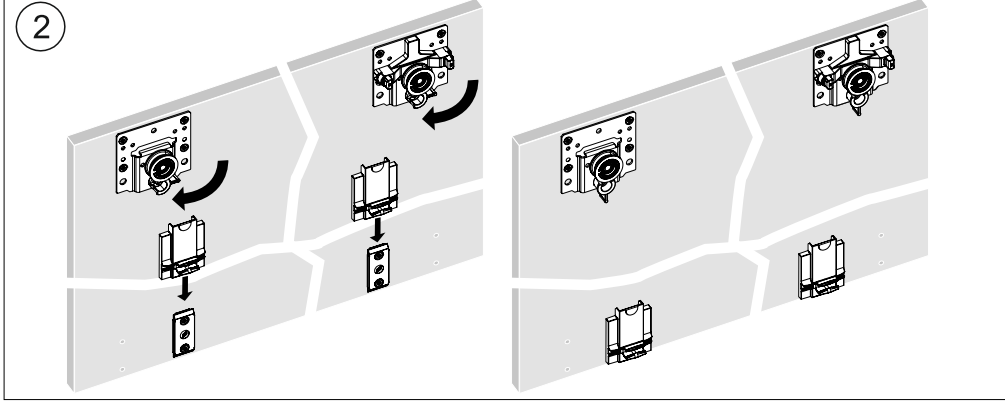
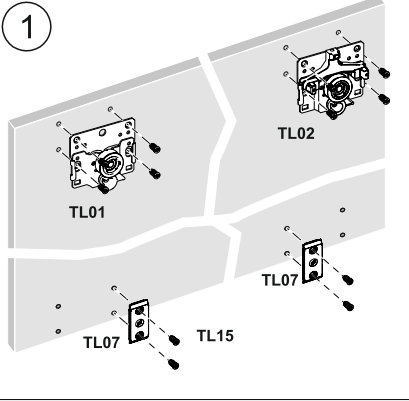
20



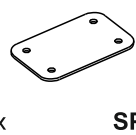
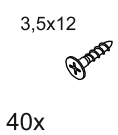
6,3x12,5



TL15



21

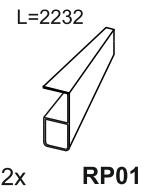


40x

S02

4x

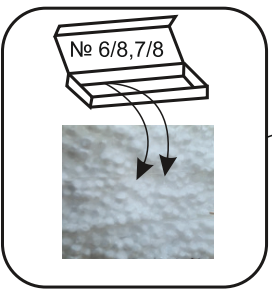
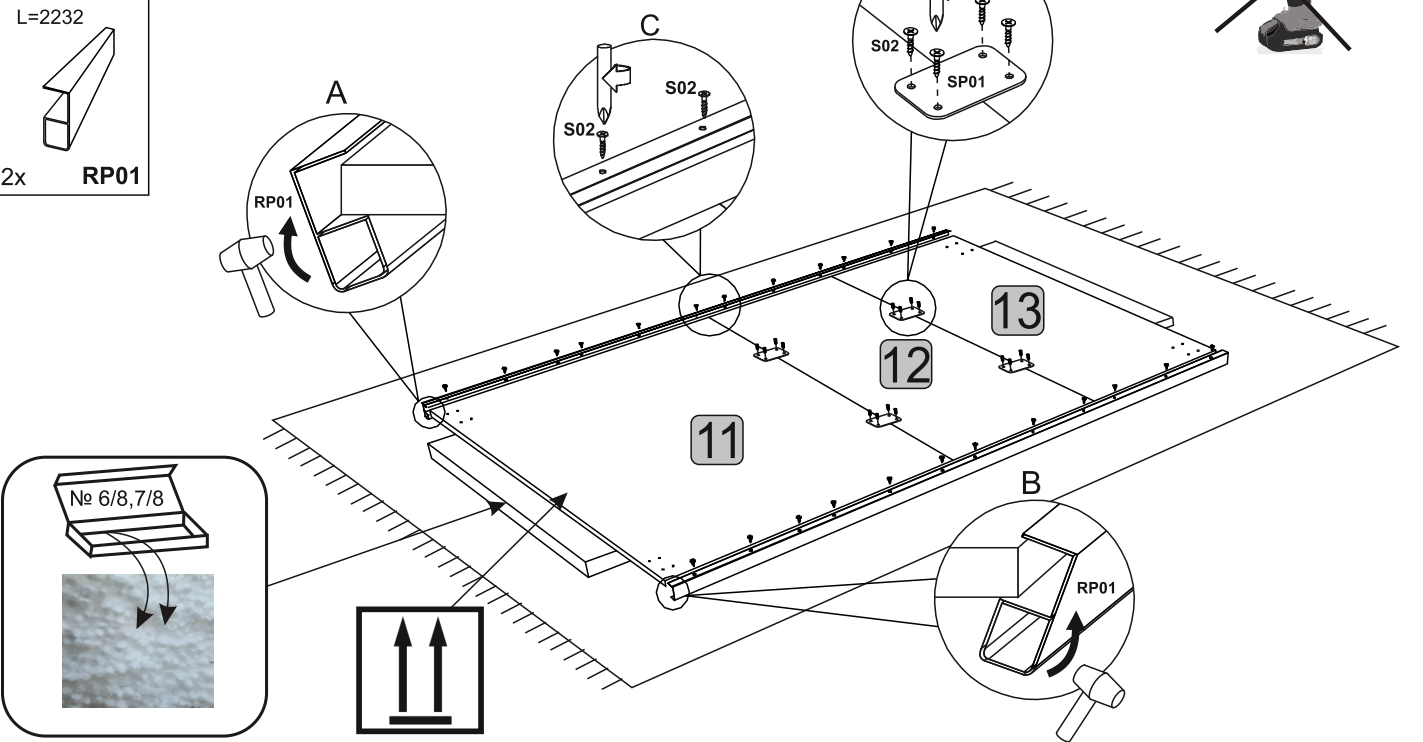
SP01



L=2232

2x

RP01



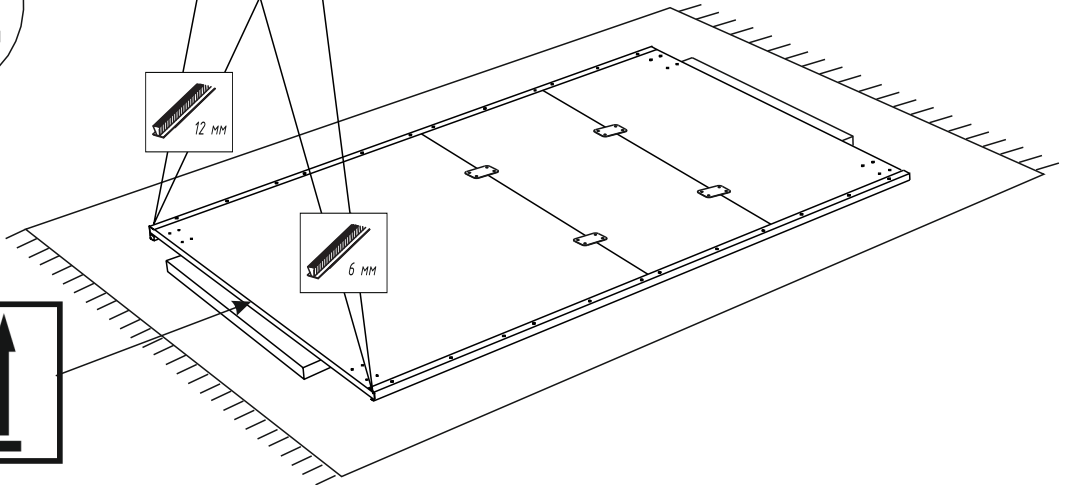
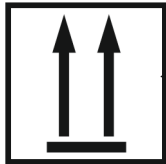
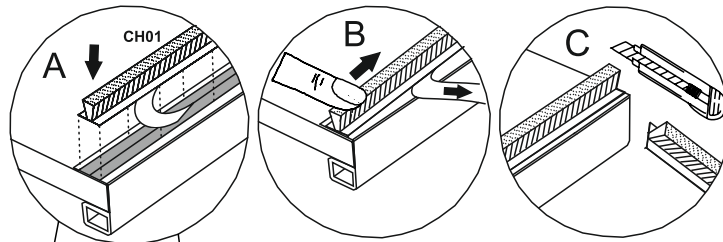
22

L=2500

1x  6 MM

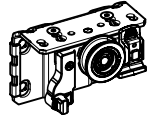
1x  12 MM

CH01

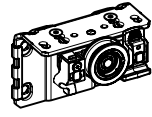


23

Hettich



1x TL03



1x TL04



2x FR24

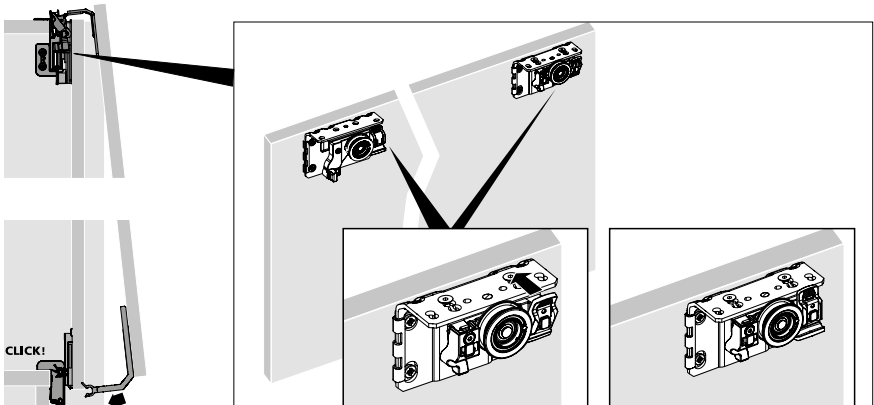
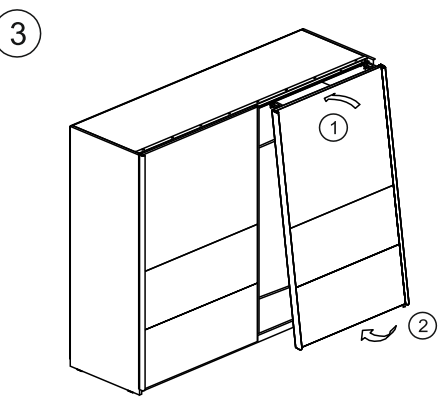
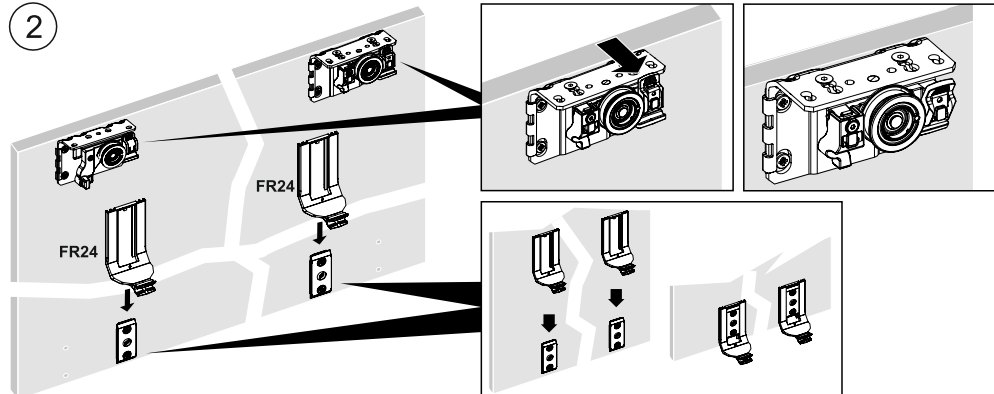
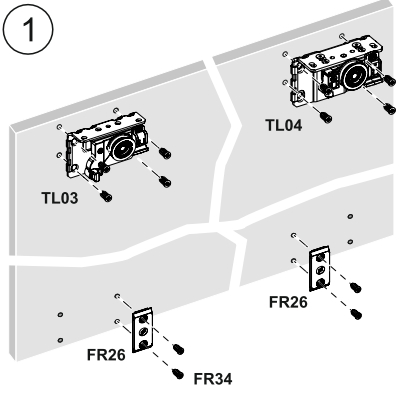


2x FR26

6,3x12,5



12x FR34



24

3,5x12



40x

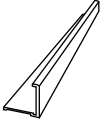
S02

4x

SP01



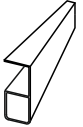
L=2232



1x

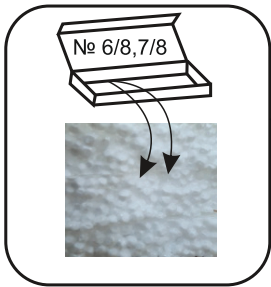
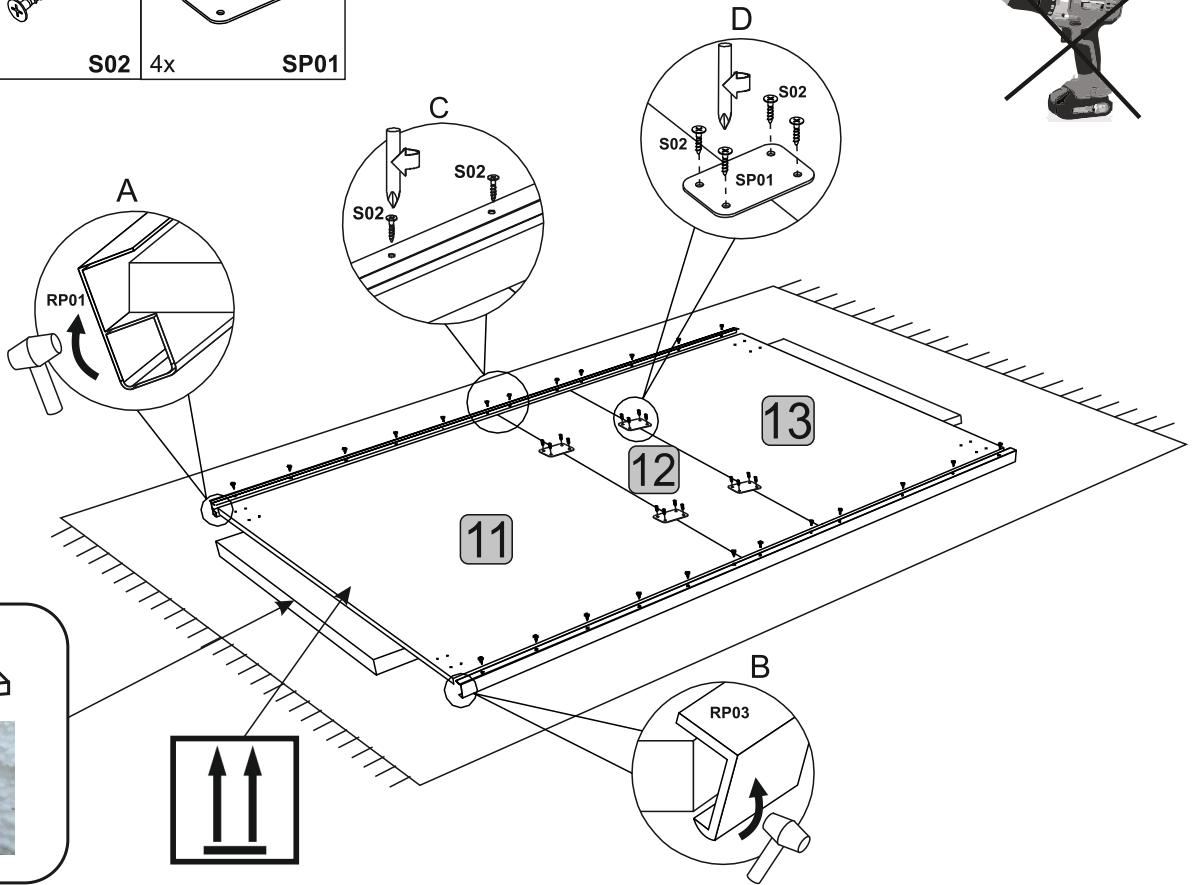
RP03

L=2232



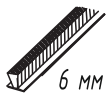
1x

RP01



25

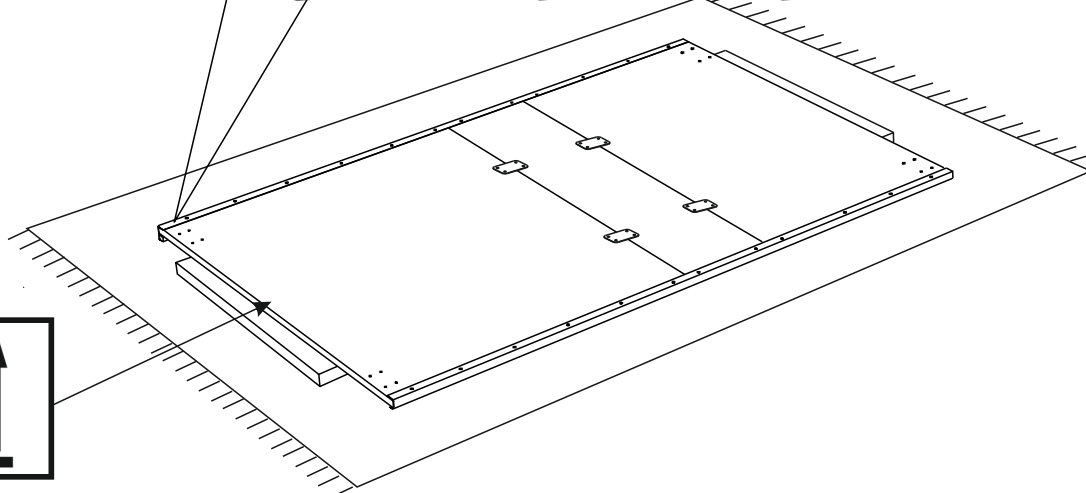
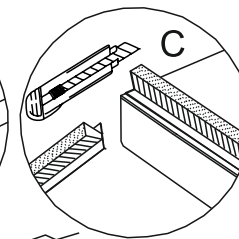
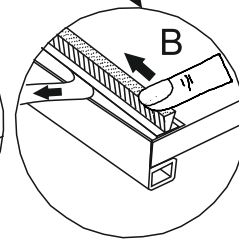
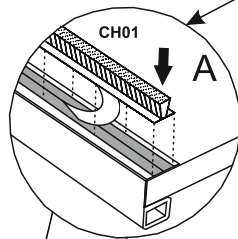
L=2500








6 MM

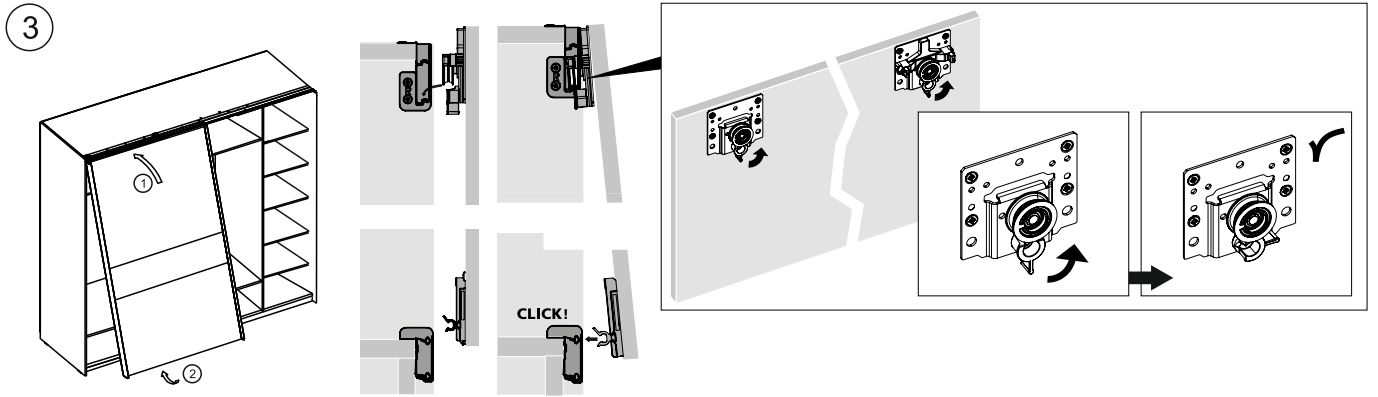
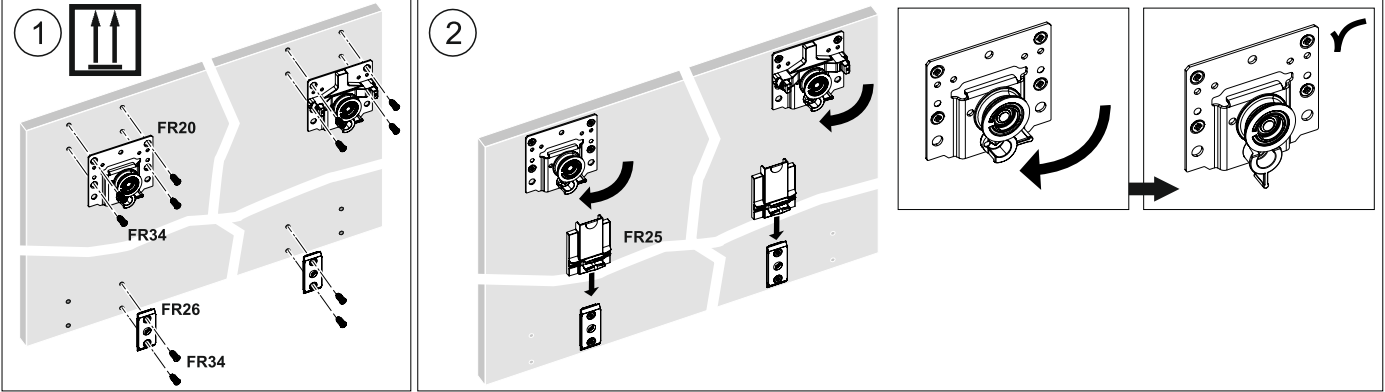
1x

CH01





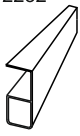
26

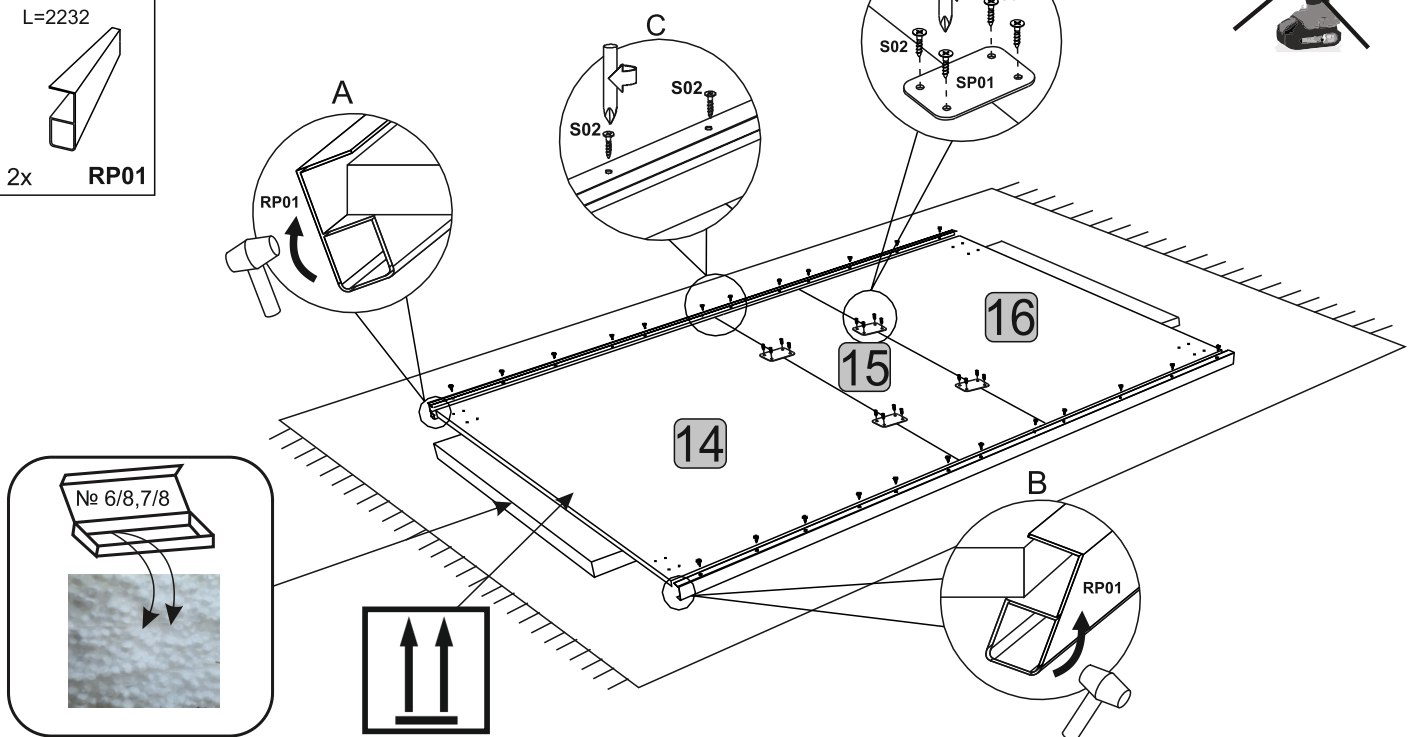
- 1x  **FR20**
- 1x  **FR21**
- 2x  **FR25**
- 2x  **FR26**
- 12x  **FR34**



27

- 40x  **S02**
- 4x  **SP01**

- L=2232
- 2x  **RP01**



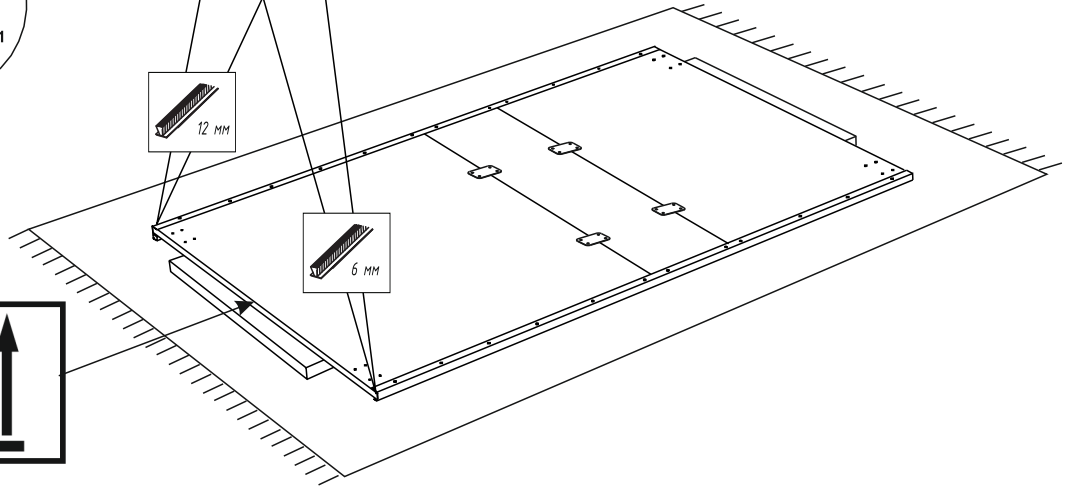
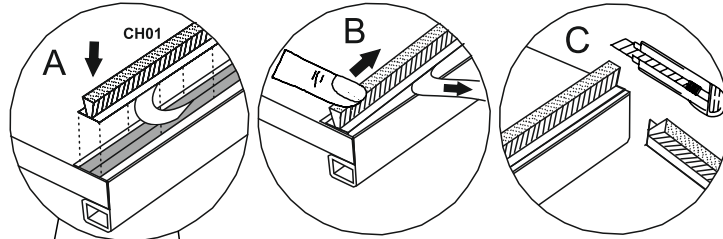
28

L=2500

1x  6 MM

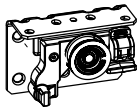
1x  12 MM

CH01

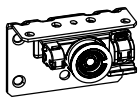


29

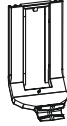
Hettich



1x FR22



1x FR23



2x FR24



2x FR26

6,3x12,5



12x FR34

